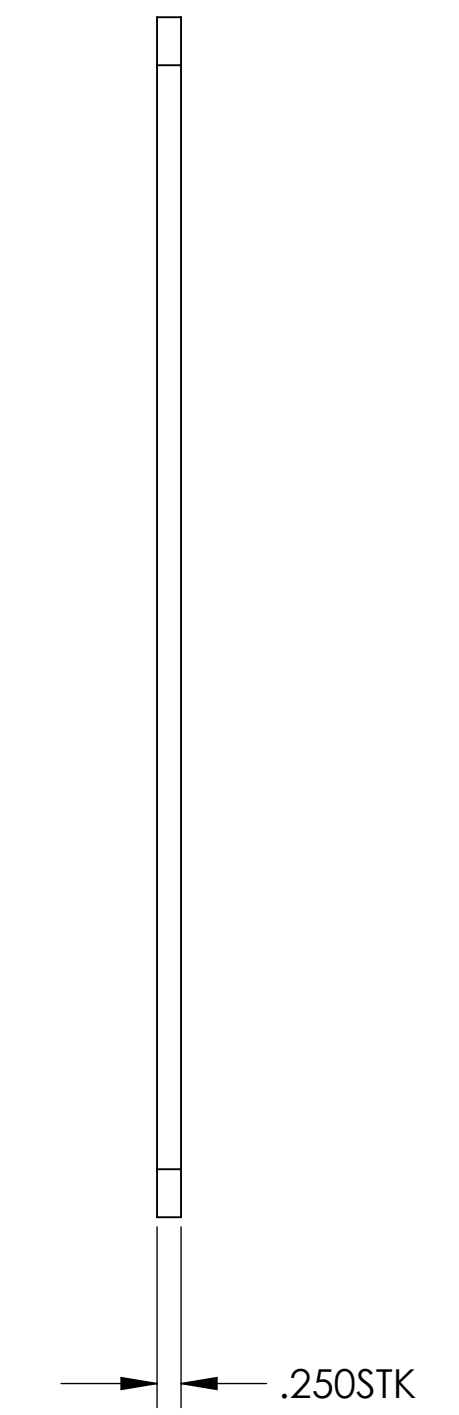
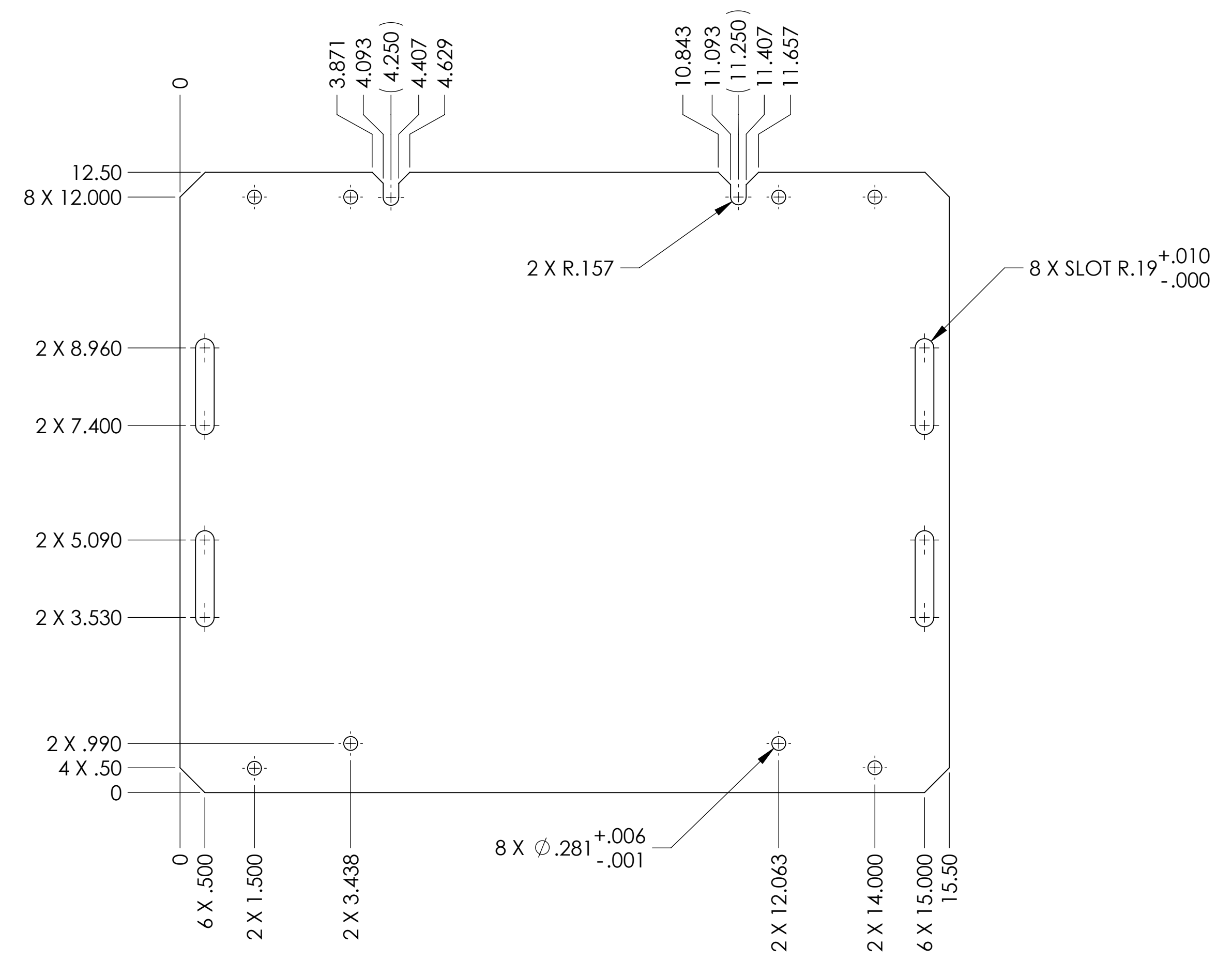
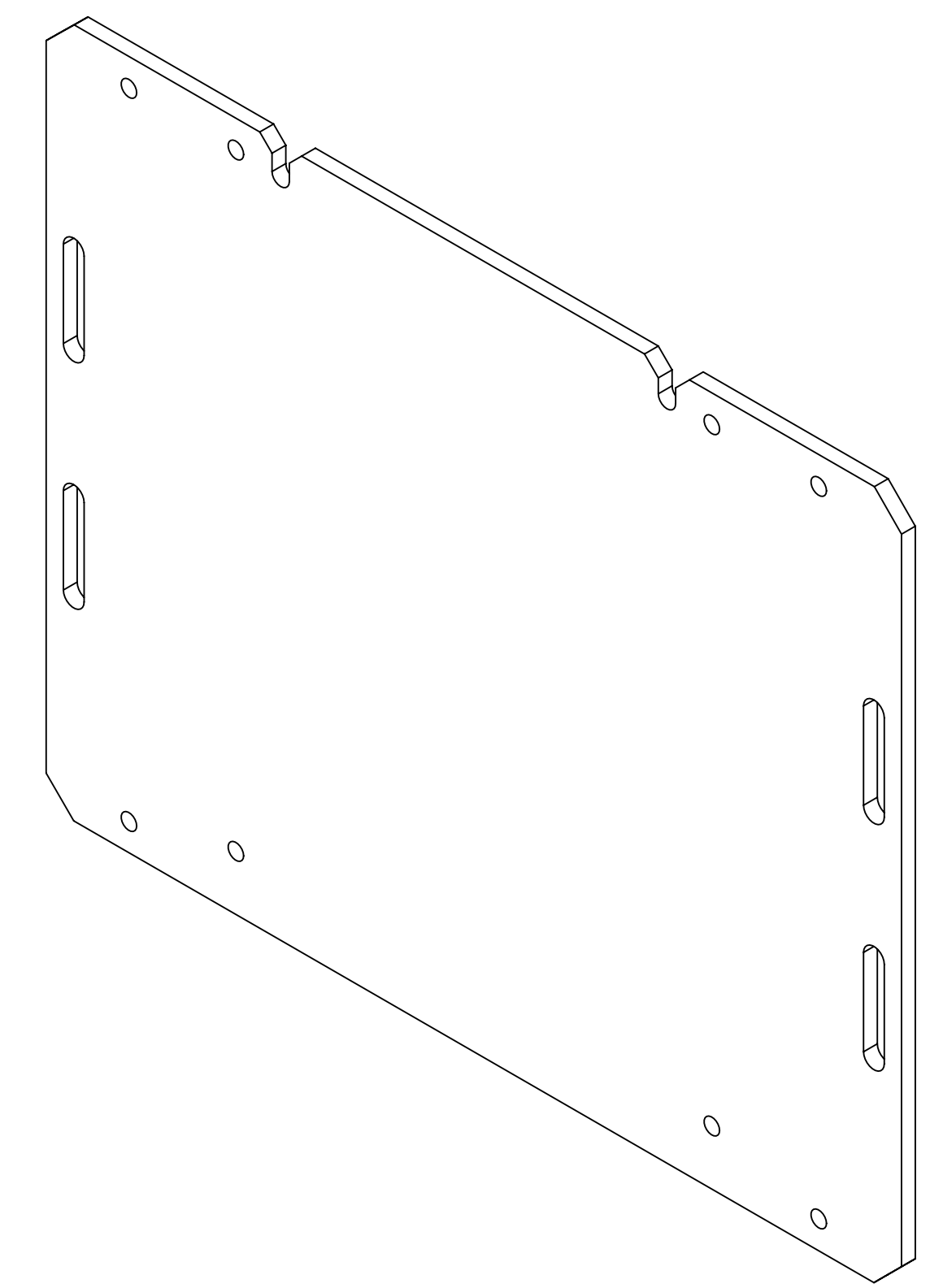


NOTES: UNLESS OTHERWISE SPECIFIED

1. REMOVE BURRS AND BREAK SHARP EDGES.
2. SURFACE FINISH: $\sqrt{63}$
3. MATERIAL: MIC 6 JIG PLATE ALUMINUM.
4. PROTECTIVE FINISH: ANODIC COATING, TYPE II, CLASS 1, COLOR CLEAR PER MIL-A-8625.
5. BAG OR TAG WITH PART NO., DASH NO. AND REVISION.

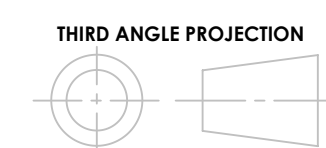
REVISIONS				
ZONE	REV.	DESCRIPTION	DATE	APPROVED
	A	ADDED AUTOSENSE II MOUNTING HOLES & CHG DIM ZONE B5	97-10-14	
	B	ADDED SHEET 2 AND -3 VERSION FOR AUTOSENSE III	99/04/12	WBM
	C	8X Ø .281 WAS 10X ZONE C-4, ALSO CHGD 3X TO 2X FOR DIM ZONE B,C-6	99/10/05	WBM
	D	ZONE C-4 REMOVED 4X .25 X 45°	00/01/28	WBM
	E		11/4/2008	
	F	RELEASE INTO AGILE PER ECO C05886	01-14-08	RFB



19406122-1

PROPRIETARY NOTICE
 THE INFORMATION CONTAINED IN THIS DRAWING IS THE SOLE PROPERTY OF OSI LASERSCAN. ANY REPRODUCTION IN PART OR WHOLE WITHOUT THE WRITTEN PERMISSION OF OSI LASERSCAN IS PROHIBITED.

UNLESS OTHERWISE SPECIFIED:
 DIMENSIONS ARE IN INCHES AND AFTER PLATING
TOLERANCES:
 FRACTIONAL: $\pm 1/32$
 ANGULAR: MACH: $\pm .5^\circ$
 ONE PLACE DECIMAL: $\pm .1$
 TWO PLACE DECIMAL: $\pm .03$
 THREE PLACE DECIMAL: $\pm .005$
DO NOT SCALE DRAWING
 MATERIAL: SEE NOTE X
 FINISH: SEE NOTE Y



CAD GENERATED DRAWING DO NOT MANUALLY UPDATE		CONTRACT NO.	
APPROVALS	DATE	APPROVALS	DATE
QUALITY	Name date	DRAWN BY	WGARCIA 11-04-97
MFG ENGR	Name date	CHECKER	Name date
C.M.	Name date	DESIGNER	Name date
		ENGINEER	Name date
		PROGRAM MGR	Name date
		CUSTOMER	

OSI LaserScan OSI LASERSCAN HAWTHORNE, CA

TITLE: PLATE, MOUNTING, AUTOSENSE

SIZE: **D** CAGE CODE: DRAWING NO. **19406122** REV **F**

SCALE: 1:2 WEIGHT: LBS. SHEET 1 OF 1