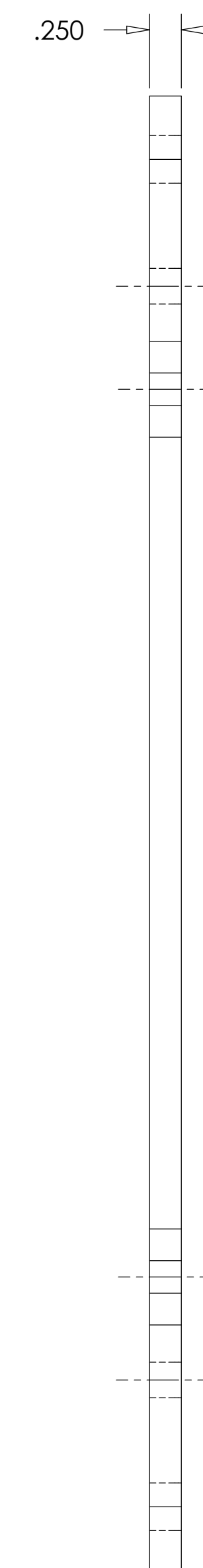
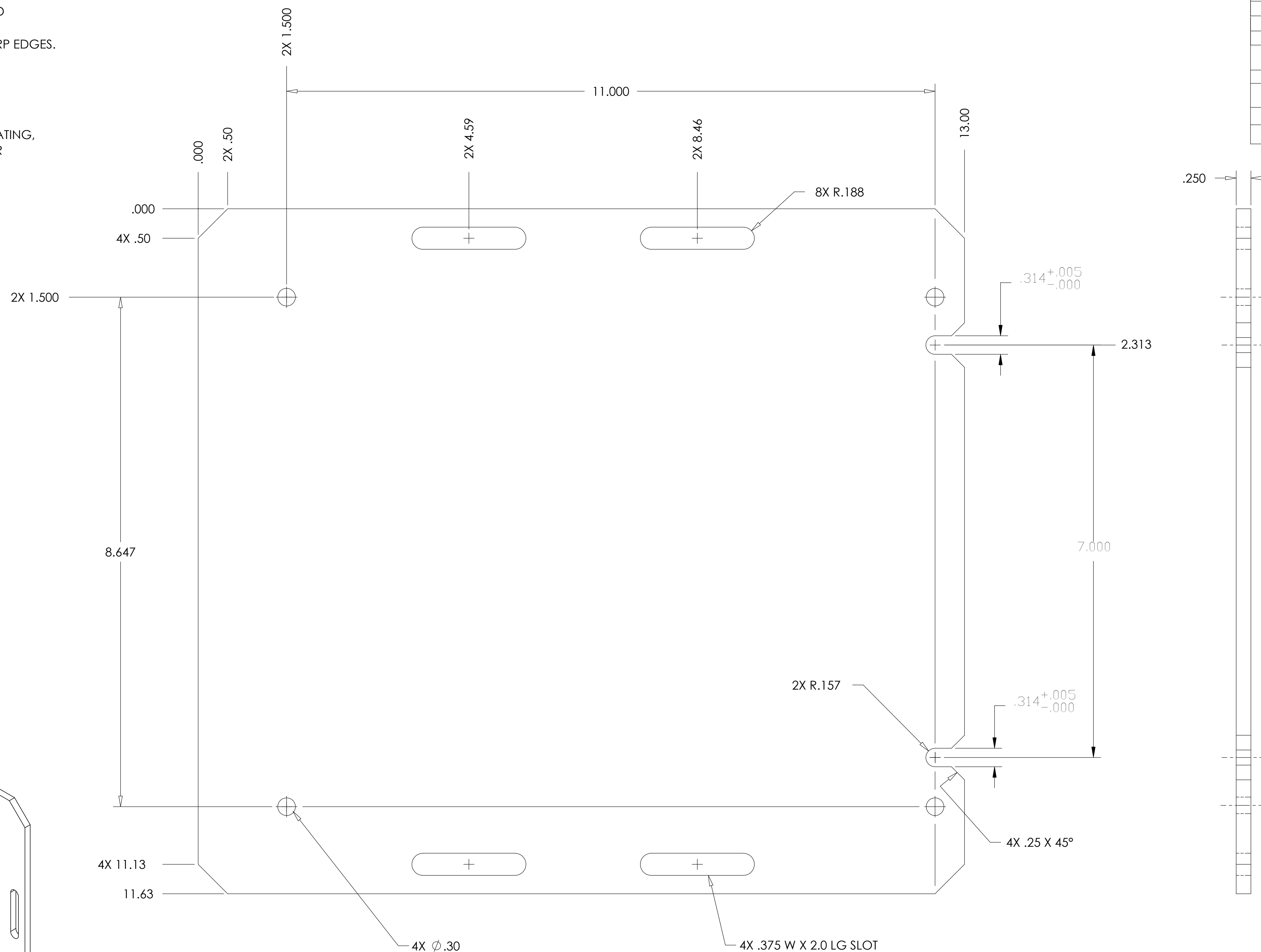
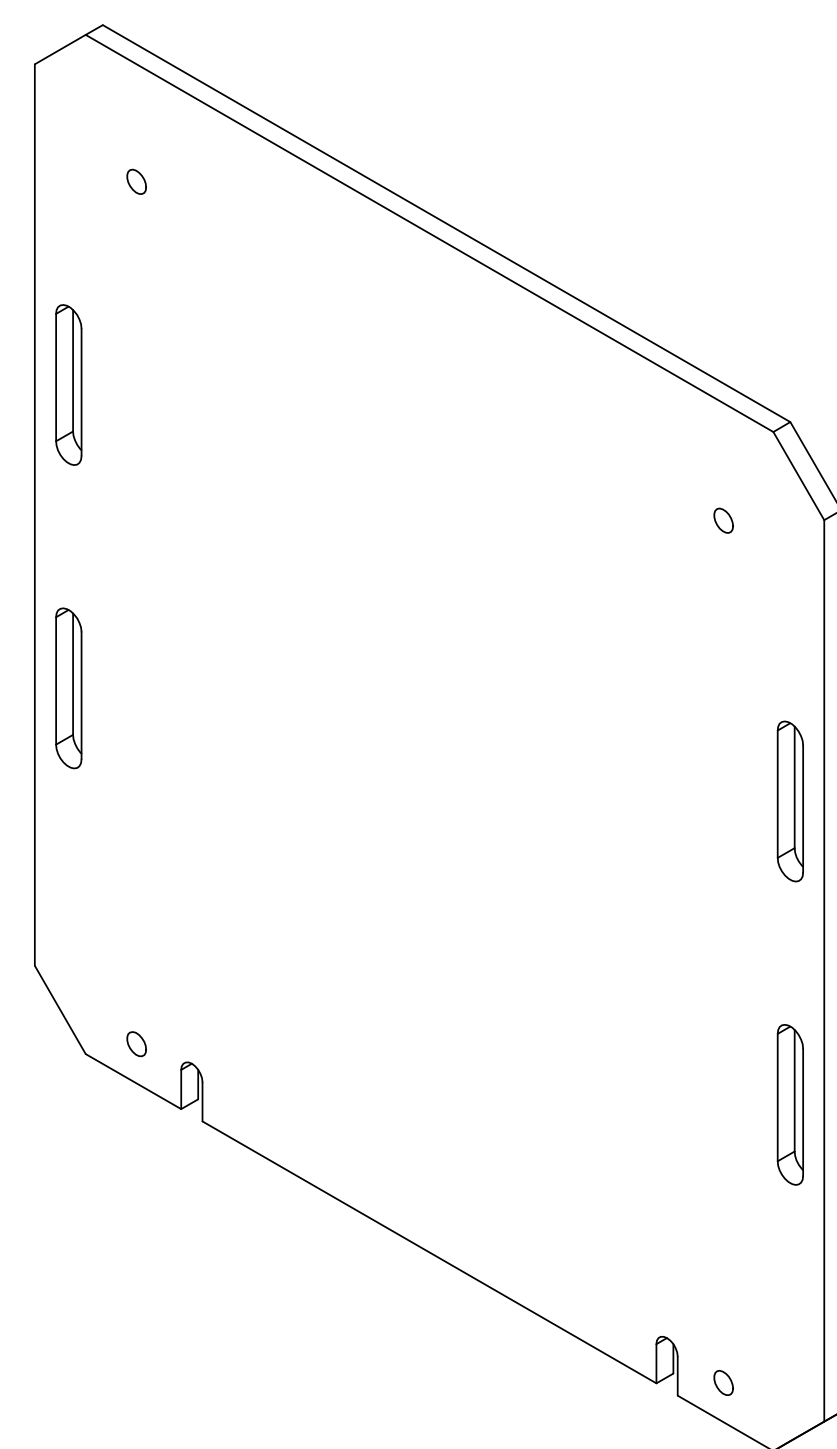


NOTES: UNLESS OTHERWISE SPECIFIED

1. REMOVE BURRS AND BREAK SHARP EDGES.
2. SURFACE FINISH:  $\checkmark$  63
3. MATERIAL: JIG PLATE.
4. PROTECTIVE FINISH: ANODIC COATING, TYPE 2, CLASS 1, COLOR CLEAR PER MIL-A-8625.
5. BAG OR TAG PER MIL-STD-130.

REVISIONS				
MF	LTR	DESCRIPTION	DATE	APPROVAL
	A	UPDATED NOTE 3	97-08-11	PMB
	B	REMOVED DOUBLE DIM, FIXED DIMS ZN C2&B7	98-01-15	PMB
	B	PRODUCTION RELEASE	98-01-27	PMB
	C	REVISED PER LC-AS0001	98-04-02	PMB
	D	ADDED PROP NOTE, CHGD METHOD OF DIM TO (4) $\phi$ .28 HOLES, REMOVED 4X .50 X 45° DIM ZONE D-3. CS0001	99-09-14	WBM/HLR
	E	CHANGED NOTE NO. 4. WAS CLASS 2.	00-09-05	WBM/
	F	CHANGED DIMENSIONING SCHEME FOR CHAMFERED SLOTS CHANGED MOUNTING HOLE SIZE TO .30	01-09-05	RR
	G	PLACED DRAWING ON OSI-LS SHEET	03-31-06	KLF
	H	ADDED ISO VIEW IAW ECO C04556.53	04-20-06	KLF



PART NUMBER 19476022-1

THE INFORMATION CONTAINED IN THIS DRAWING IS THE SOLE PROPERTY OF OSILASERSCAN. ANY REPRODUCTION IN PART OR WHOLE WITHOUT THE WRITTEN PERMISSION OF OSILASERSCAN IS PROHIBITED.

UNLESS OTHERWISE SPECIFIED:  
DIMENSIONS ARE IN INCHES AND AFTER PLATING  
TOLERANCES:  
FRACTIONAL: 1/32  
ANGULAR: MACH: .5°  
TWO PLACE DECIMAL: .01  
THREE PLACE DECIMAL: .005  
**DO NOT SCALE DRAWING**  
MATERIAL:  
FINISH:  
**THIRD ANGLE PROJECTION**

CAD GENERATED DRAWING DO NOT MANUALLY UPDATE			CONTRACT NO.		
APPROVALS	DATE	APPROVALS	DATE	APPROVALS	DATE
QUALITY	Name date	DRAWN BY	K FOWLER	03-31-06	
MFG ENGR	Name date	CHECKER	Name date		
C.M.	Name date	DESIGNER	Name date		
		ENGINEER	K FOWLER	03-31-06	
		PROGRAM MGR	Name date		
		CUSTOMER			

<b>OSILaserScan</b>		OSI LASERSCAN ORLANDO, FL	
<b>TITLE:</b> PLATE, MOUNTING			
SIZE <b>D</b>	CAGE CODE	DRAWING NO. <b>19476022</b>	REV <b>H</b>
SCALE: 1:1	WEIGHT: 1.32 LBS.	SHEET 1 OF 1	